

ELLIPSE

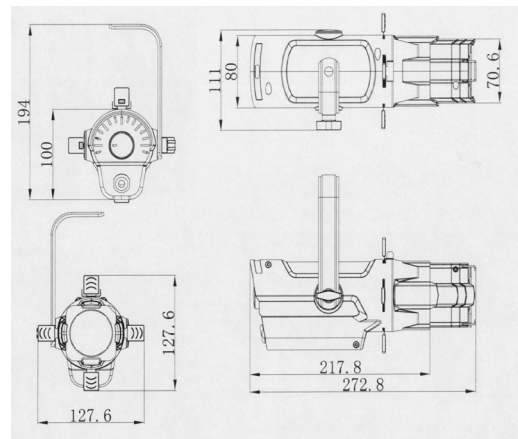
LED - MINI PROFILE



The Ellipse Mini Profile is designed for use at museums, retail stores, restaurants, web studios, pocket theatres, and other small scale installations where size matters.

The Ellipse Mini Profile produces a very uniform light and sharp image edges. It has independent dimming rotary knob and self-locking focus lens.

Length	272,8 mm
Height	100 mm
Width	111 mm
Light Source	1 x 36W
Kelvin	3200K
Power Voltage	AC 180-240V 50/60Hz
Power Input	40W
Beam Angle	19° / 26°
Weight	1,2 kg



Art	Name	Lens
69-E-40WW-D19	ELLIPSE LED MINI PROFILE	19°
69-E-40WW-D26	ELLIPSE LED MINI PROFILE	26°

Notes:

SWEDLITE