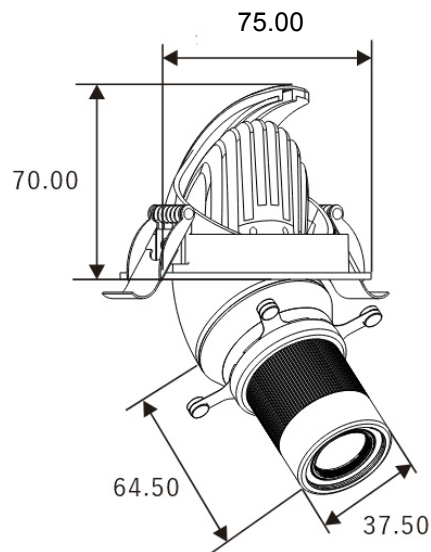


M3 Downlight Framing



Framing: 55°
 Power: 250mA
 Light Source: Citizen led 10W
 Kelvin: 3000K/ option 2700K
 CRI: >95
 Dim version: DALI / CASAMBI / TRIAC / 1-10V
 Colour: Black / White
 Cut out: Ø 75 mm



Art no	Name	System Watt
--------	------	-------------

62-M3-DLF-	<div style="display: flex; gap: 10px;"> <div style="border: 1px solid black; width: 15px; height: 15px; display: flex; align-items: center; justify-content: center;">0</div> <div style="border: 1px solid black; width: 15px; height: 15px; display: flex; align-items: center; justify-content: center;"> </div> <div style="border: 1px solid black; width: 15px; height: 15px; display: flex; align-items: center; justify-content: center;">0</div> <div style="border: 1px solid black; width: 15px; height: 15px; display: flex; align-items: center; justify-content: center;"> </div> </div>	M3 Downlight Framing	10W
------------	--	----------------------	-----

1 = white, 2 = black

2=2700K, 3= 3000K, 4=4000K, 5= TW 2700K-5700K

0=excl Driver,

SWEDLITE

www.swedlite.se